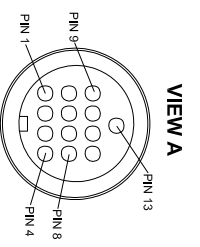


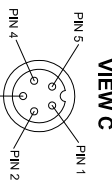
Revision Notes	
R1 -	
APPA -	Drawn -
	Checked -
	Approved -
	Date -



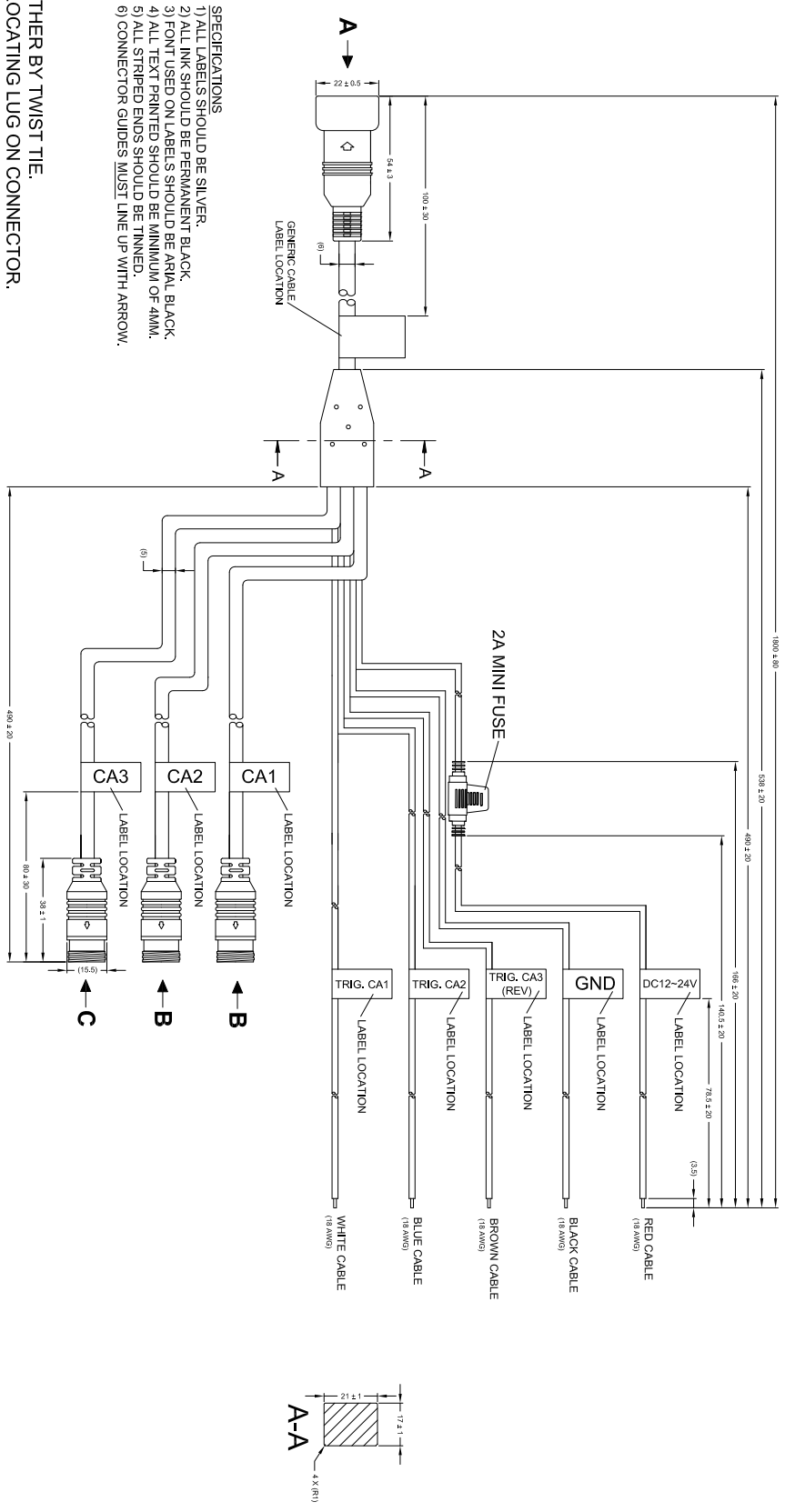
PIN #	WIRE COLOUR	DESCRIPTION
1	RED	+12VAV
2	BROWN	TRIGGER 3
3	BLUE	TRIGGER 2
4	PALE BLUE	TRIGGER 1
5	PALE RED	CA1 AUDIO OUT
6	PALE RED	CA2 AUDIO OUT
7	YELLOW	CA3 VIDEO
8	GREEN	CA2 +12V/OUT
9	PALE GREEN	CA3 AUDIO
10	WHITE	CA3 +12V/OUT
11	BLACK	CA3 +12V/OUT
12	PALE BLUE	CA3 AUDIO
13	ORANGE	CA3 VIDEO
14	BLACK	GROUND



PIN #	WIRE COLOUR	DESCRIPTION
1	RED	+12V
2	BLACK	GND
3	WHITE	AUDIO
4	YELLOW	VIDEO



PIN #	WIRE COLOUR	DESCRIPTION
1	RED	+12V
2	PINK	+12VAV
3	WHITE	AUDIO
4	YELLOW	VIDEO
5	BLACK	GND



- SPECIFICATIONS**
- 1) ALL LABELS SHOULD BE SILVER.
 - 2) ALL INK SHOULD BE PERMANENT BLACK.
 - 3) FONT USED ON LABELS SHOULD BE ARIAL BLACK.
 - 4) ALL TEXT PRINTED SHOULD BE MINIMUM OF 4MM.
 - 5) ALL STRIPED ENDS SHOULD BE TINED.
 - 6) CONNECTOR GUIDES MUST LINE UP WITH ARROW.

- NOTES:**
1. CABLE TO BE HELD NEATLY TOGETHER BY TWIST TIE.
 2. ENSURE ARROWS LINE UP WITH LOCATING LUG ON CONNECTOR.
 3. MAXIMUM POSSIBLE RESISTANCE PERMITTED FOR CABLE IS 1.2Ω.
 4. CABLE TO BE SUPPLIED IN A SUITABLE PRESS SEAL BAG WHEN SUPPLIED AS A SPARE PART.
 5. FOR MANUFACTURING CONTROLS PLEASE REFER TO ASSEMBLY PLANT DRAWING #SV464-8 REVISION 1.0.
 6. FOR CABLE LABEL REFER TO LATEST REVISION OF GENERIC CABLE LABEL DRAWING BE-001500-XX-11.

PROPRIETARY NOTICE
 THIS DESIGN AND TECHNICAL INFORMATION APPEARING ON THIS DRAWING IS THE PROPERTY OF BRIGADE ELECTRONICS, AND IS DISCLOSED IN CONFIDENCE. IT IS NOT TO BE COPIED, REPRODUCED, REVISED TO OR EXPROPRIATED BY OTHERS, EITHER IN WHOLE OR IN PART WITHOUT THE EXPRESS WRITTEN CONSENT OF BRIGADE ELECTRONICS.



 Third Angle	Assembly Pl Approval YING ZHANG (14/05/14)		Approved by B. JOHN	Checked by RBATES	Drawn by MBUTLER
	Angle of Projection	Units mm	Scale N/A	Released 14/05/14	Assembly Ref -
	Part No 3662A	Released VBV-7X0M-SCA		BE-002880-00-14	

H
G
F
E
D
C
B
A

H
G
F
E
D
C
B
A

1 2 3 4 5 6 7 8